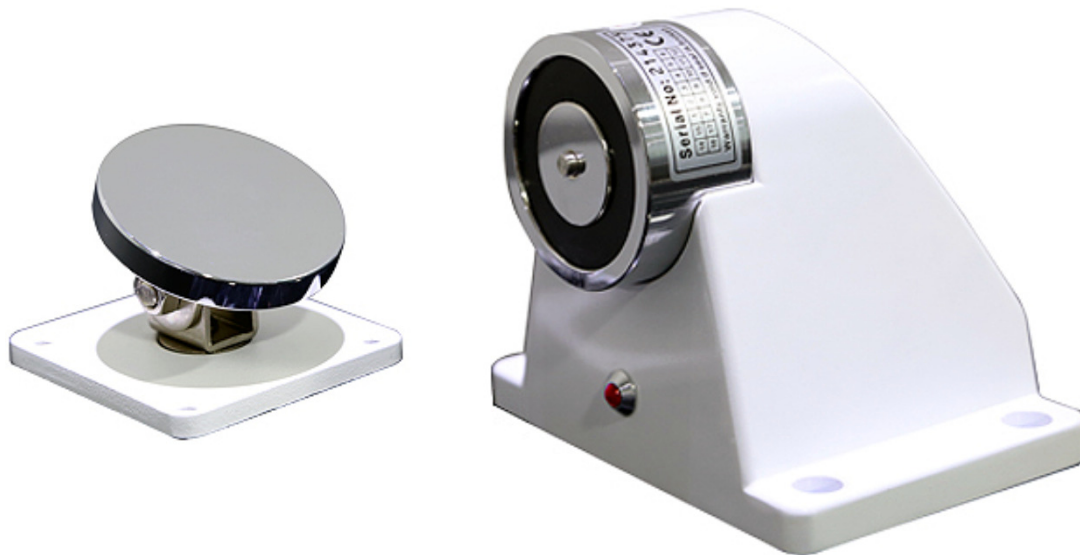


## LTX-DH-609F Floor Mount Holder

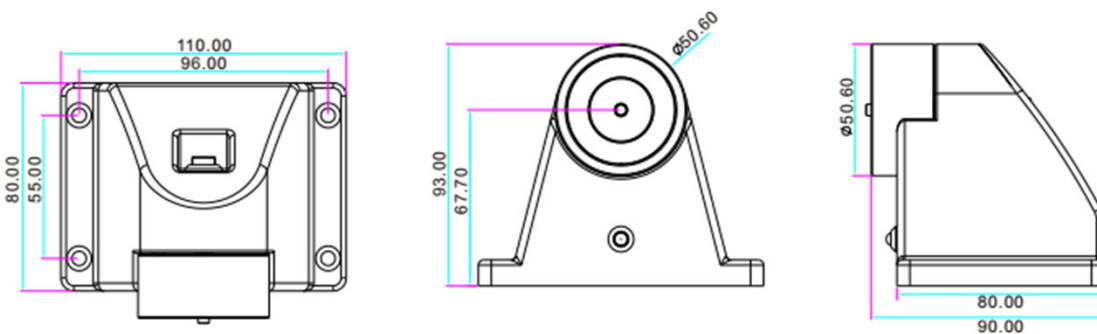


### Technical Specifications :

<b>Dimensions:</b>	110L x 80W x 93H (mm)
<b>Holding Force:</b>	50kg (110lbs)
<b>Voltage:</b>	24VDC/12VDC +/-10% (Selective)
<b>Current Draw:</b>	12V/140mA 24V/70mA
<b>Suitable For:</b>	Wooden Door, Fireproof Door
<b>Operating Temp:</b>	10 ~ +55°C (14-131F)
<b>Working Humidity:</b>	0~90% (Non-condensing)
<b>Face Plate:</b>	Stainless Steel
<b>Weight:</b>	1.6kg

## LTX-DH-602-L Door Holder

### Dimension



### Installation

**Remarks:**

1. The default setting is 24VDC.
2. If user want to connect with 12VDC, operating as below:
  - (1) Pull those two jumpers out. It is showed 4 pins here.
  - (2) To set up 12VDC, insert one jumper on the position of 1 and 2, second jumper on the position of 3 and 4.

